

# ITPC-B150

Intel® Core™/Celeron® Processor - 15" Touch Panel PC



## FEATURES

- Fanless Aluminum Design
- Intel® Core™/Celeron® Processor
- Adopt HD Industrial LCD screen and multi-point capacitive touch screen
- COM2 Support RS232/485 (4 × COM Ports optional)
- IP65 full flat front panel
- Support VESA Mount, Wall Mount ect.

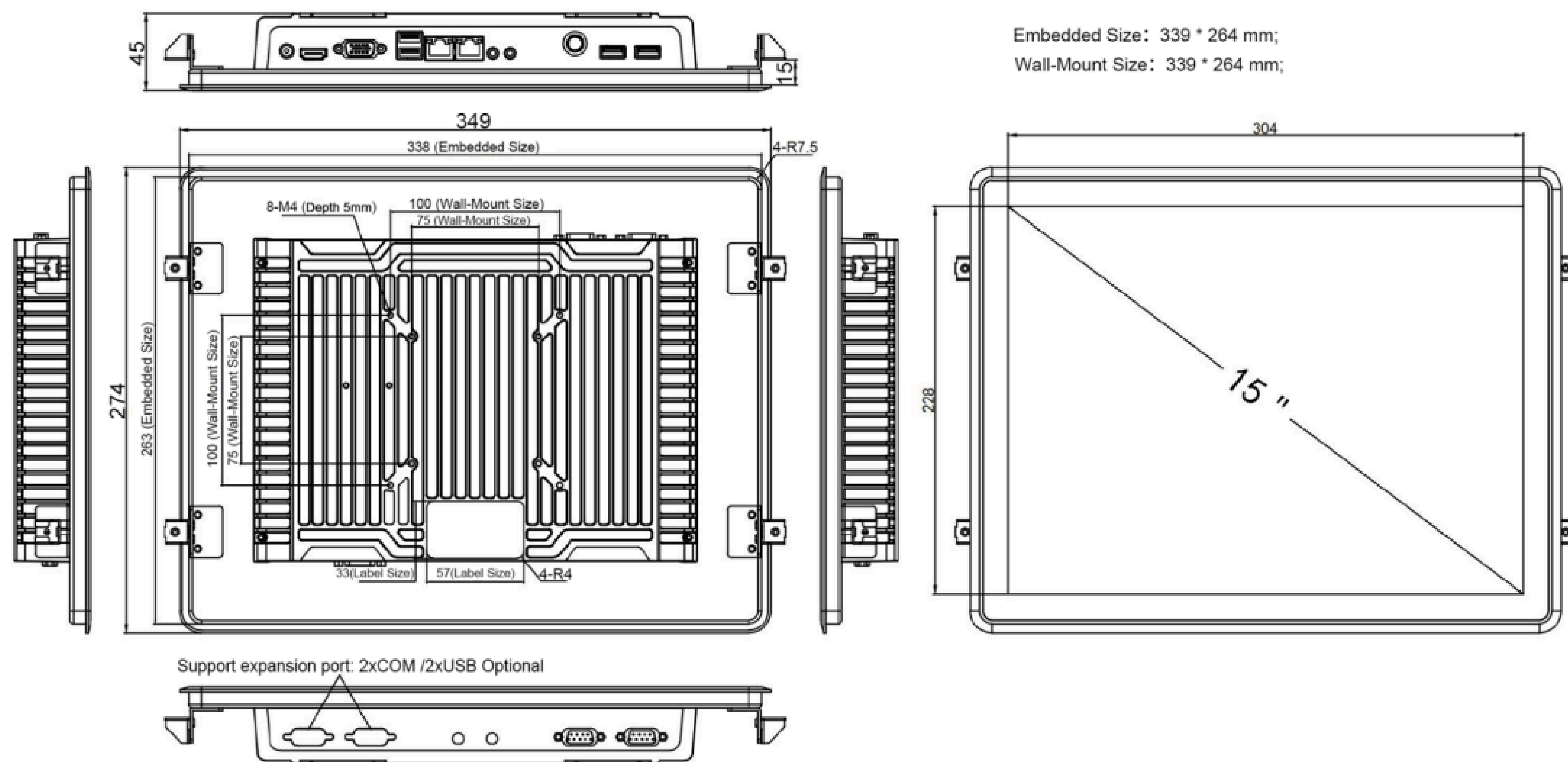
## SPECIFICATION

SYSTEM	
Processor	Intel® Celeron® J1900 (quad core quad threads, 2.0GHz, TDW:10W) Intel® Core™ i5-4200U (dual core quad threads, 1.6GHz, Max. Turbo 2.6 GHz) Intel® Core™ i5-6360U (dual core quad threads, 2.0 GHz, Max. Turbo 3.1 GHz)
Chipset	Intel® CPU Integrated Chip
Memory	1 × DDR3 1333/1600MHz SODIMM, Max. 8GB (Intel® Celeron® J1900) 1 × DDR3 1333/1600MHz SODIMM, Max. 8GB (Intel® Core™ i5-4200U) 1 × DDR3L 1600MHz SODIMM, Max.16 GB (Intel® Core™ i5-6360U)
BIOS	AMI UEFI BIOS
Display Chip	Intel® HD Graphics (Intel® Celeron® J1900) Intel® HD Graphics 4400 (Intel® Core™ i5-4200U) Intel® HD Graphics 540 (Intel® Core™ i5-6360U)
Display Port	1 × HDMI, 1 × LVDS, 1 × VGA   Support synchronous/asynchronous 2 display
Storage	1 × MSATA 1 × 2.5-inch HDD/SSD
Expansion	1 × Mini PCIe (support WiFi/4G optional)
OS Support	Windows 7, Windows 8, Windows 10, Linux
I/O	1 × Power Button 1 × DC-In 1 × HDMI 1 × VGA 2 × USB 3.0 2 × USB 2.0 2 × RTL8111H 1000Mbps LAN Ports 1 × Mic 1 × Line Out 2 × COM Ports (COM2 RS232/RS485 optional)
Power	DC 12V
Speaker	2 × 8Ω2W
Application	Industrial Automation, Medical, Logistics Transportation, Warehousing, Electronic Education, etc.
DISPLAY	
Display Type	15" TFT-LCD
Brightness	250 cd/m <sup>2</sup>
Viewing Angle	70/70/65/60
Contrast	4:3
Resolution	1024 × 768
Touchscreen Type	Multi-touch Capacitive touch screen,Lifetime: more than 50000 Thousand Times
ENVIRONMENT	
Operating Temperature	0°C ~ 50°C, surface air flow
Relative Humidity	5% ~ 95% (non-condensing)
Certification	CE, CCC, FCC Class A, RoHS
MECHANISM	
Dimension	349 × 274 × 45 mm
Embedded Size	Embedded Size: 339 × 264 mm, Wall-Mount Size: 75 × 75 mm/100 × 100 mm
Weight	3.19 kg



## DIMENSION

unit:mm





## ORDER INFORMATION

ITPC-B150	CPU	Specification
Configuration 1	Intel® Celeron® J1900	Standard I/O (1 × USB 3.0, 3 × USB 2.0)
Configuration 2	Intel® Core™ i5-4200U	Standard I/O
Configuration 3	Intel® Core™ i5-6360U	Standard I/O (2 × Intel I211 LAN Ports)

## ACCESSORY

Part Name	Quantity	Specification
Power Adapter	1	12V 5A
Power Cord	1	CN, US, UK, EU etc.
Embedded Buckle	4	For Standard Embedded Installation
Desktop, Wall Mount, Stereo Stand	1	Optional